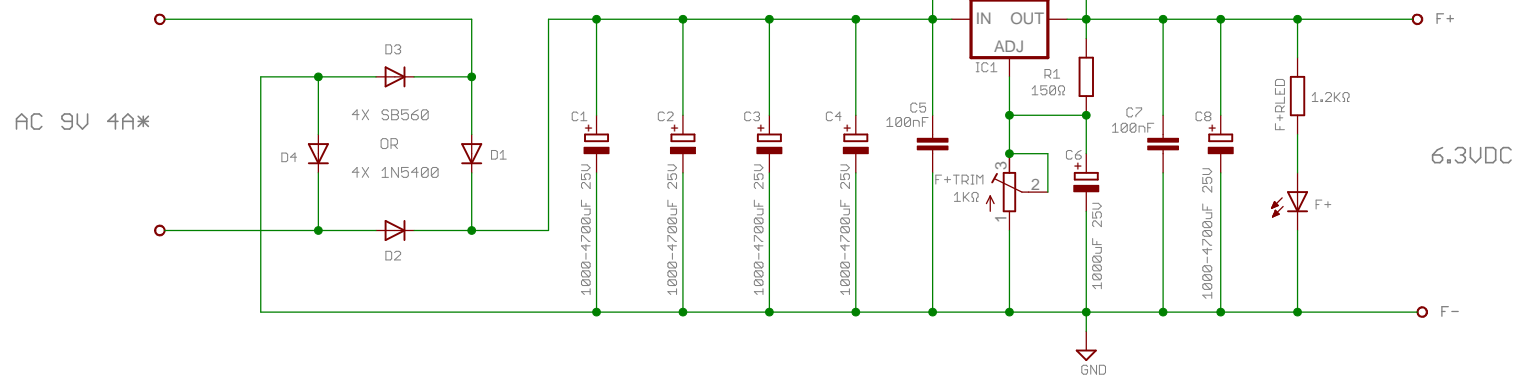


HEATER PSU

IMPORTANT!

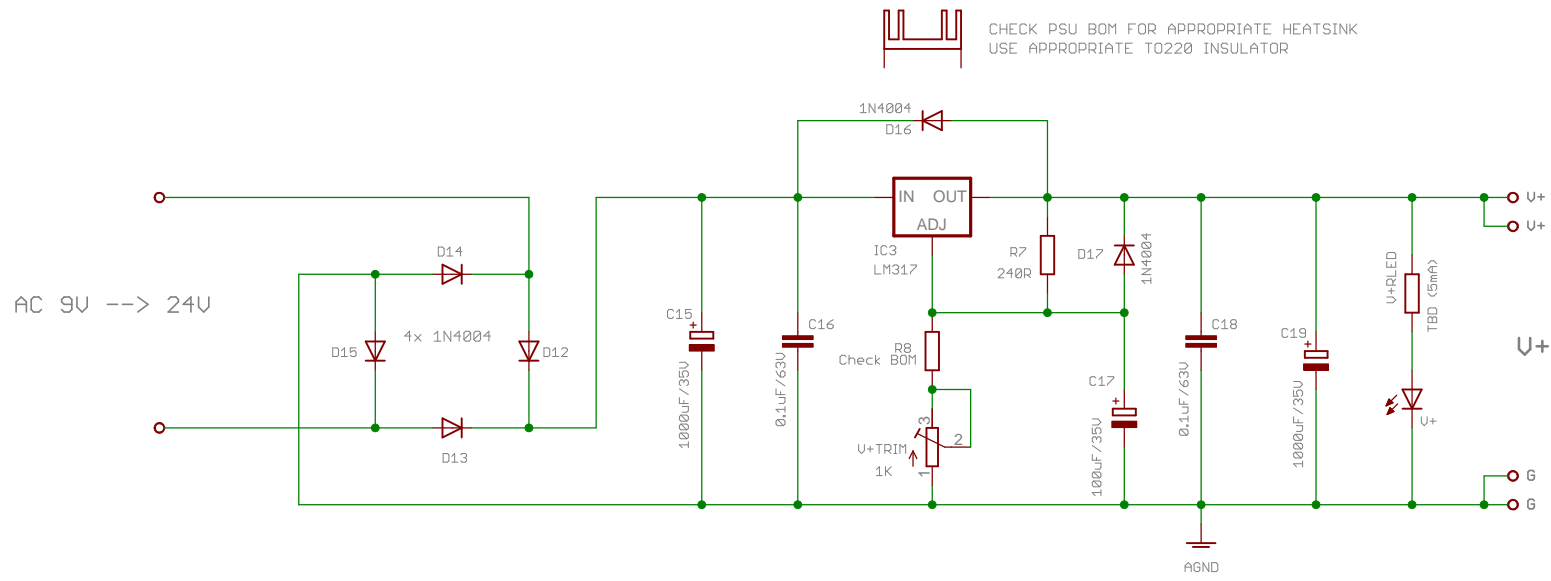
IC1 ATTACHED ON BIG HEATSINK OR CASE WITH APPROPRIATE T0220 INSULATOR PCB FOR EASE OF SOLDERING WIRES PROVIDED ON THE PANEL



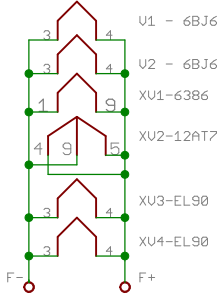
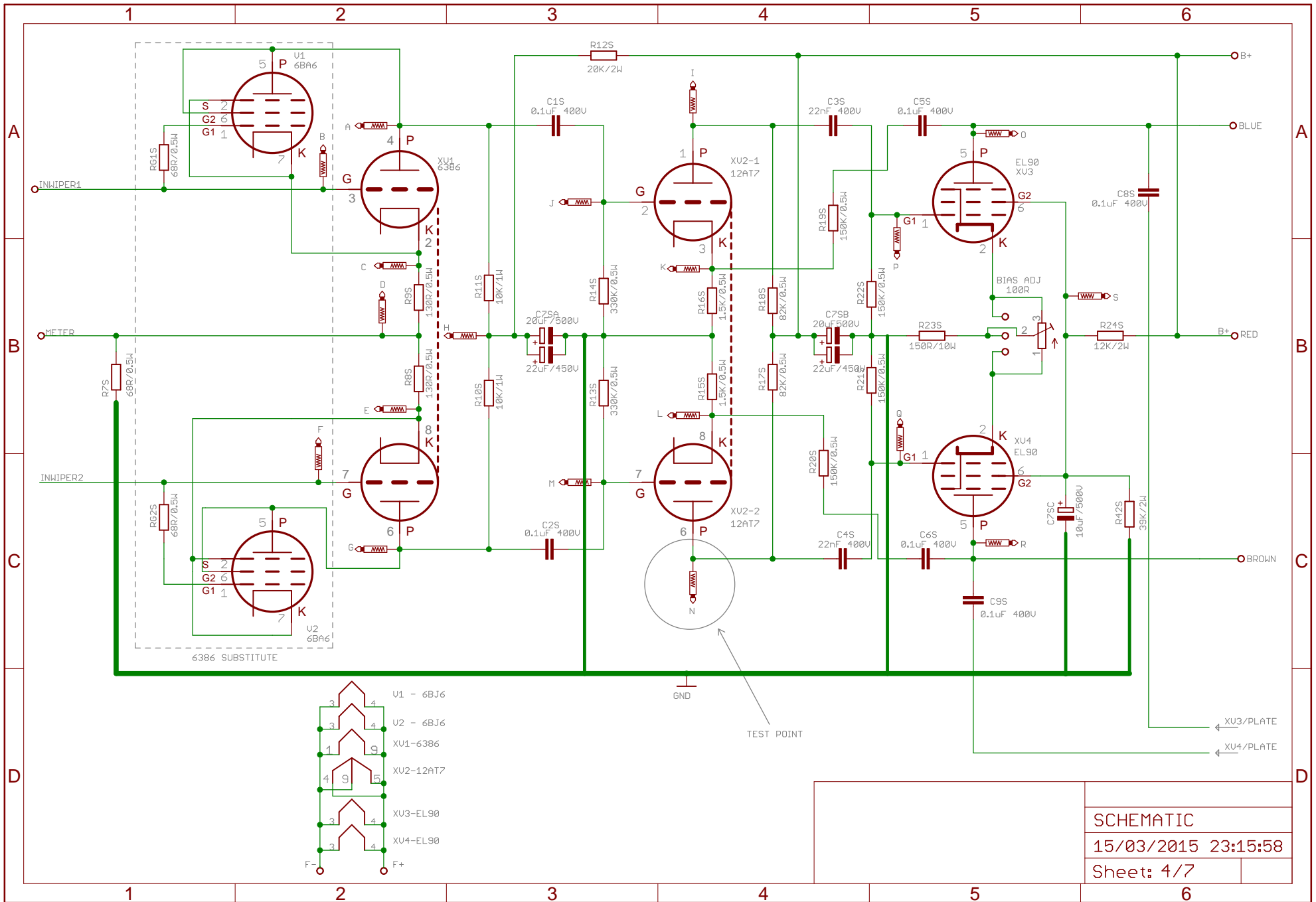
* MAX RATING

SCHEMATIC
15/03/2015 23:15:58
Sheet: 2/7

V+ PSU

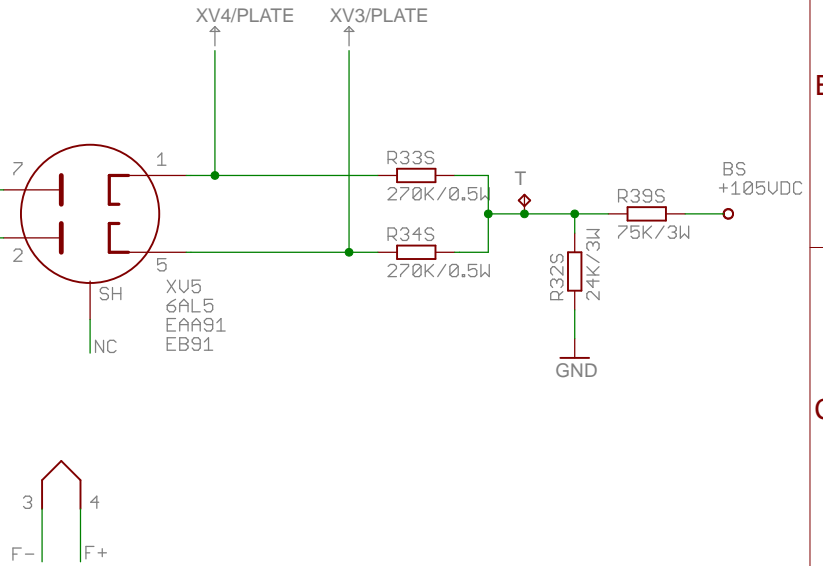
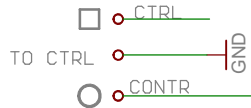
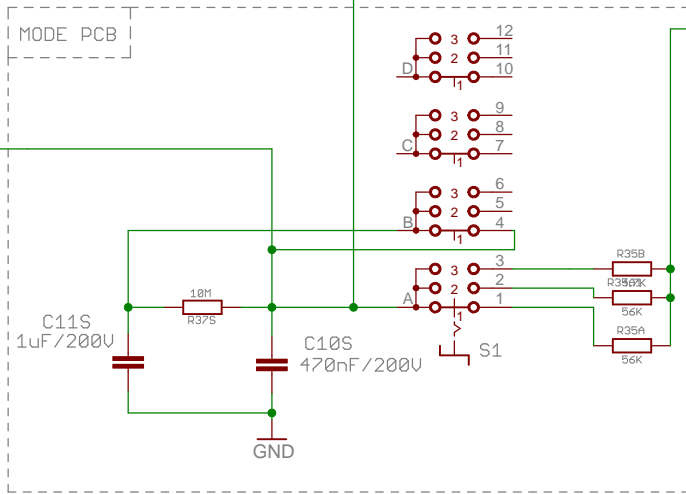
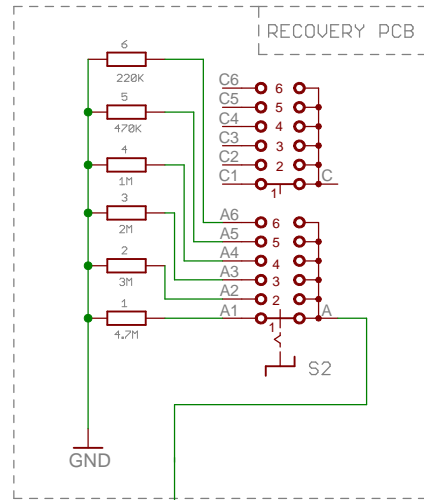


SCHEMATIC
15/03/2015 23:15:58
Sheet: 3/7



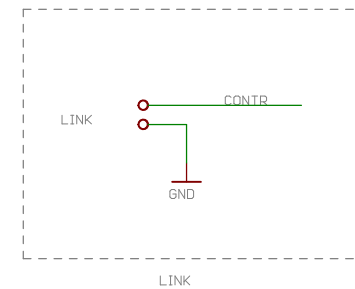
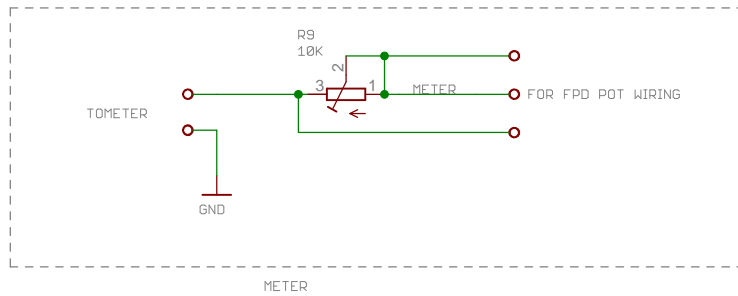
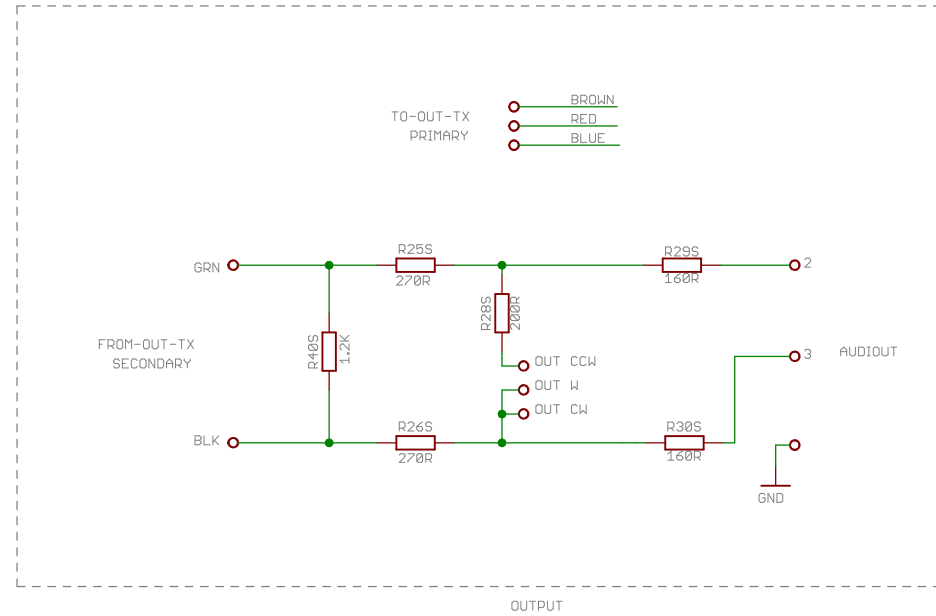
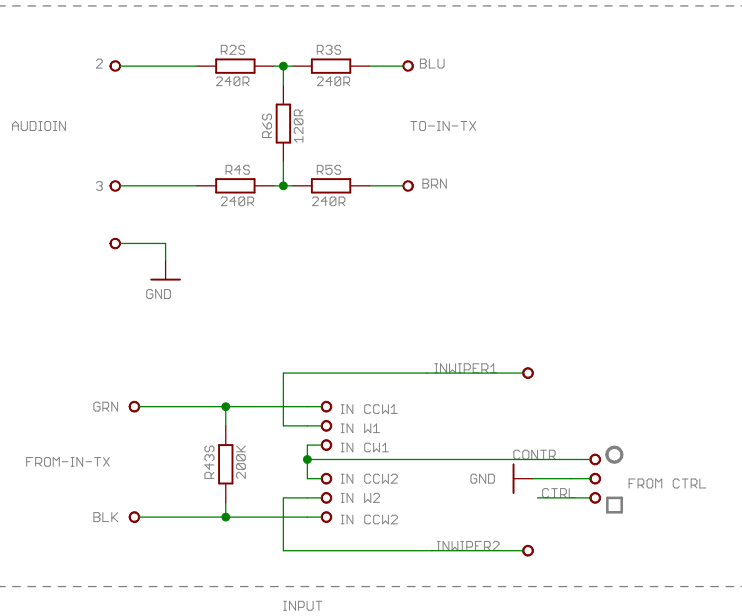
SCHEMATIC	
15/03/2015 23:15:58	
Sheet: 4/7	

CONTROL CIRCUIT

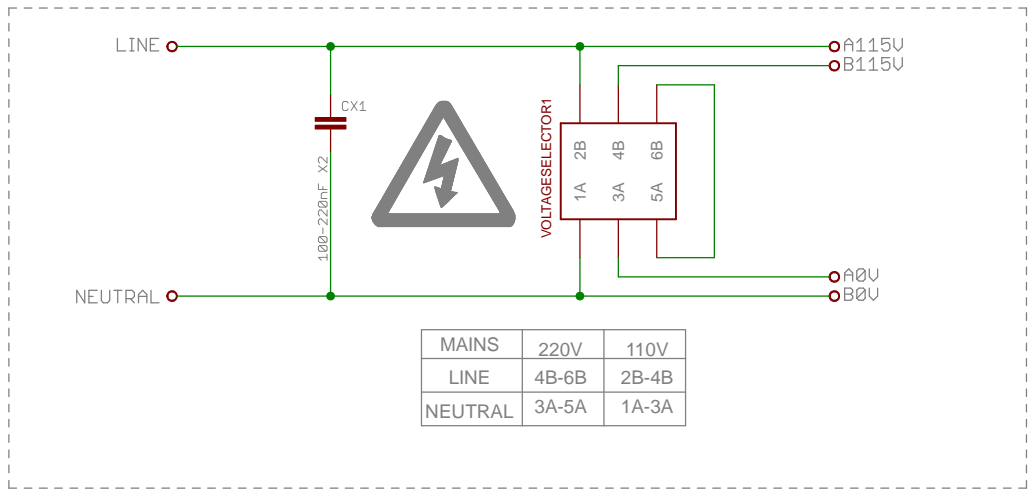




BEWARE!!! TRANSFORMER WIRING COLORS ARE TAKEN FROM ORIGINAL SCHEMATIC FOR SAKE OF SIMPLICITY
CHECK AND WIRE ACCORDING TO THE ONE YOU USE

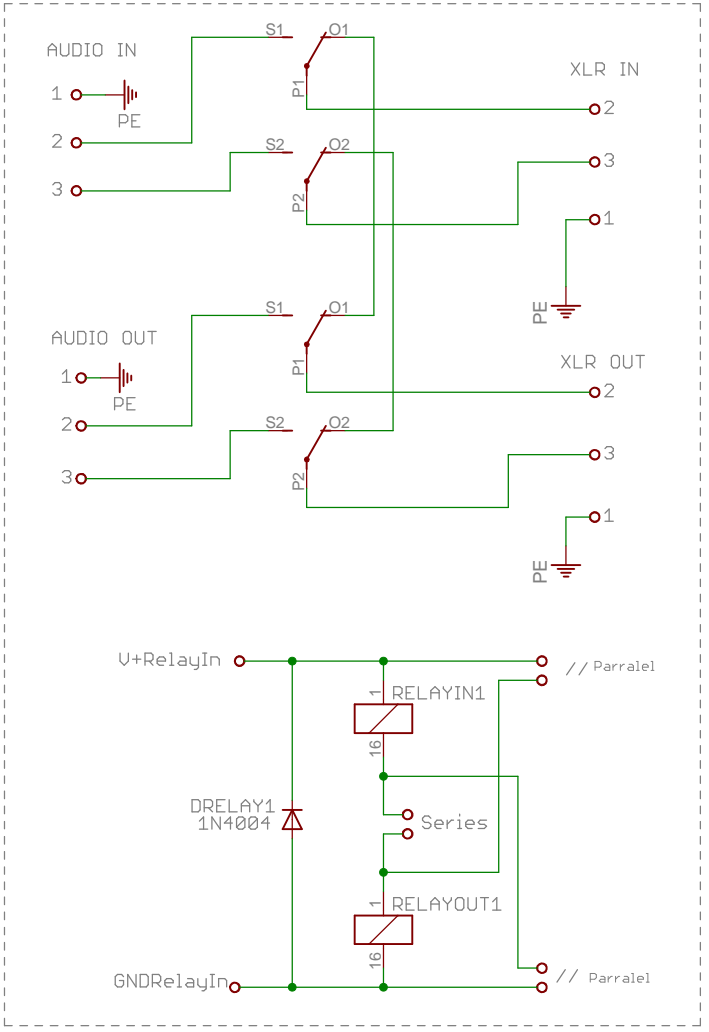


SCHEMATIC
15/03/2015 23:15:58
Sheet: 6/7



MAINS	220V	110V
LINE	4B-6B	2B-4B
NEUTRAL	3A-5A	1A-3A

MAINS CONNECTION + PRIMARY



SCHEMATIC
 15/03/2015 23:15:58
 Sheet: 7/7